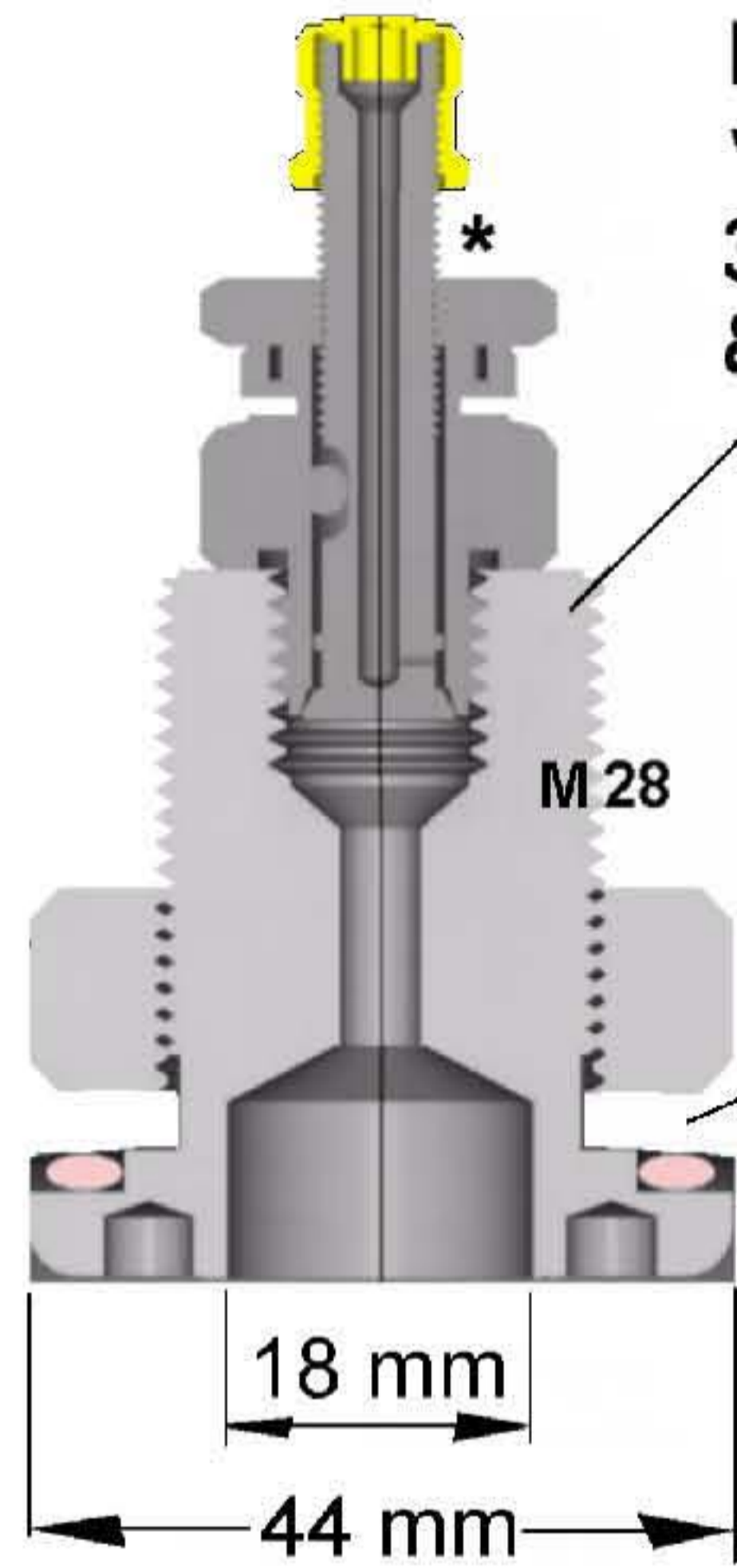


Popular Pre-Filling Options

PT Nbr. 009-R

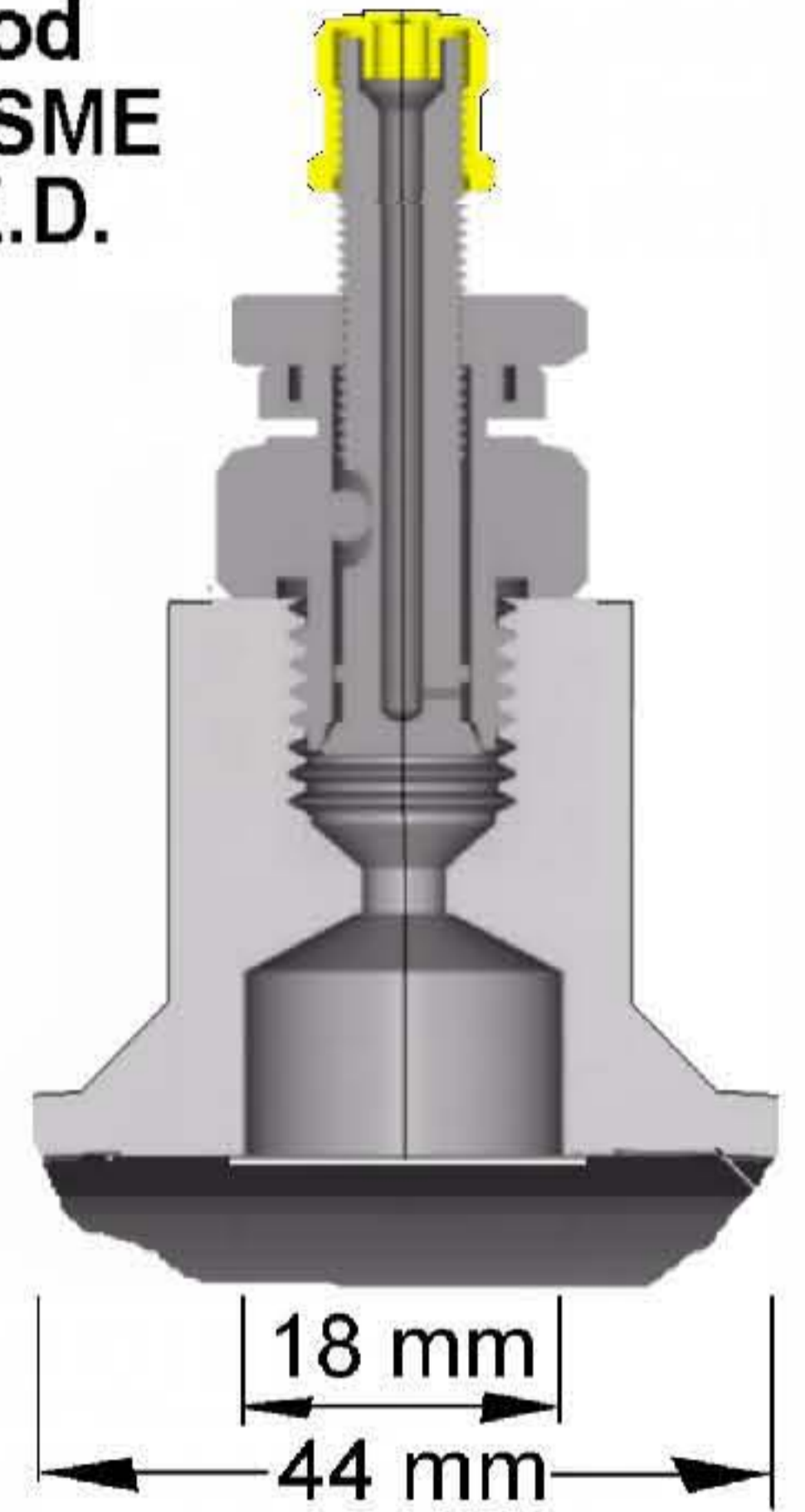
Nitrogen Pre-Fill
Valve 9019c
304ss 1/2" x 20 tpi
& 0.305" 32 tpi *

Gas overload
FAIL SAFETY
stored energy
release
Not permitted by
European P.E.D.

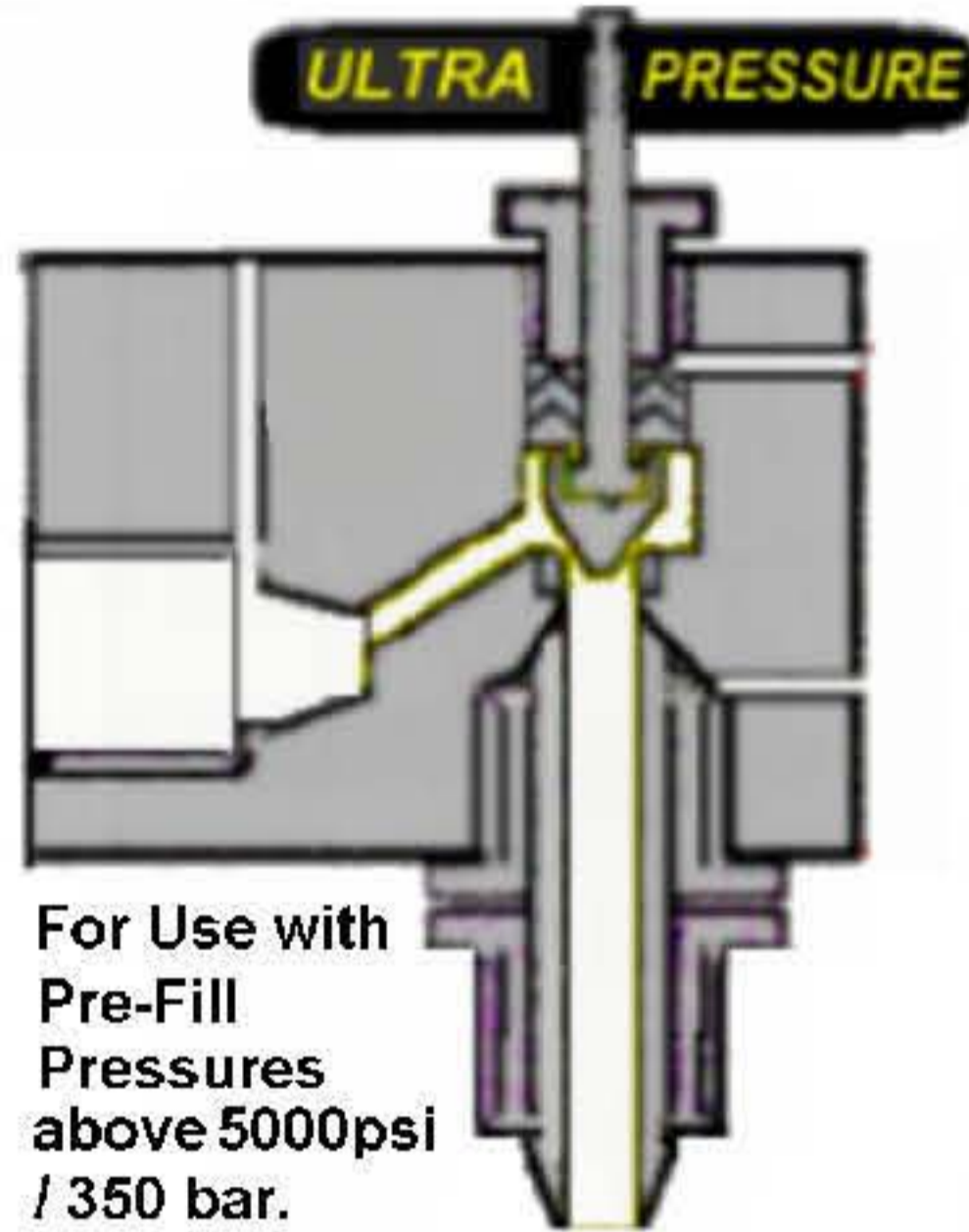


PT Nbr. 009-W

LESS SAFE
method
for ASME
& P.E.D.

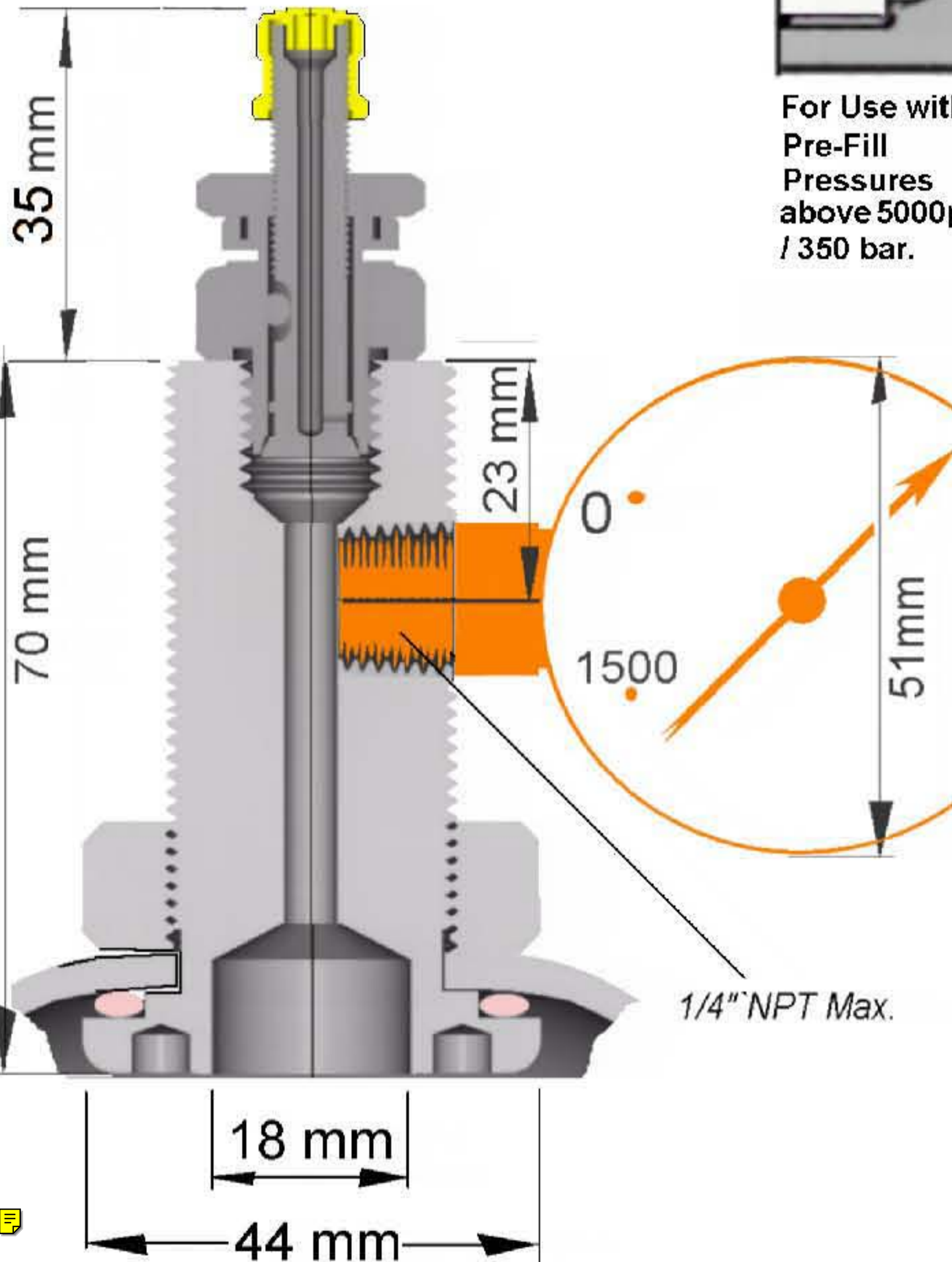


ULTRA PRESSURE



For Use with
Pre-Fill
Pressures
above 5000psi
/ 350 bar.

PT Nbr. 009-RG



PT Nbr. 009-WG

For:-
Pressure indicator Gauges
Not Recommended.
1/4" F NPT

