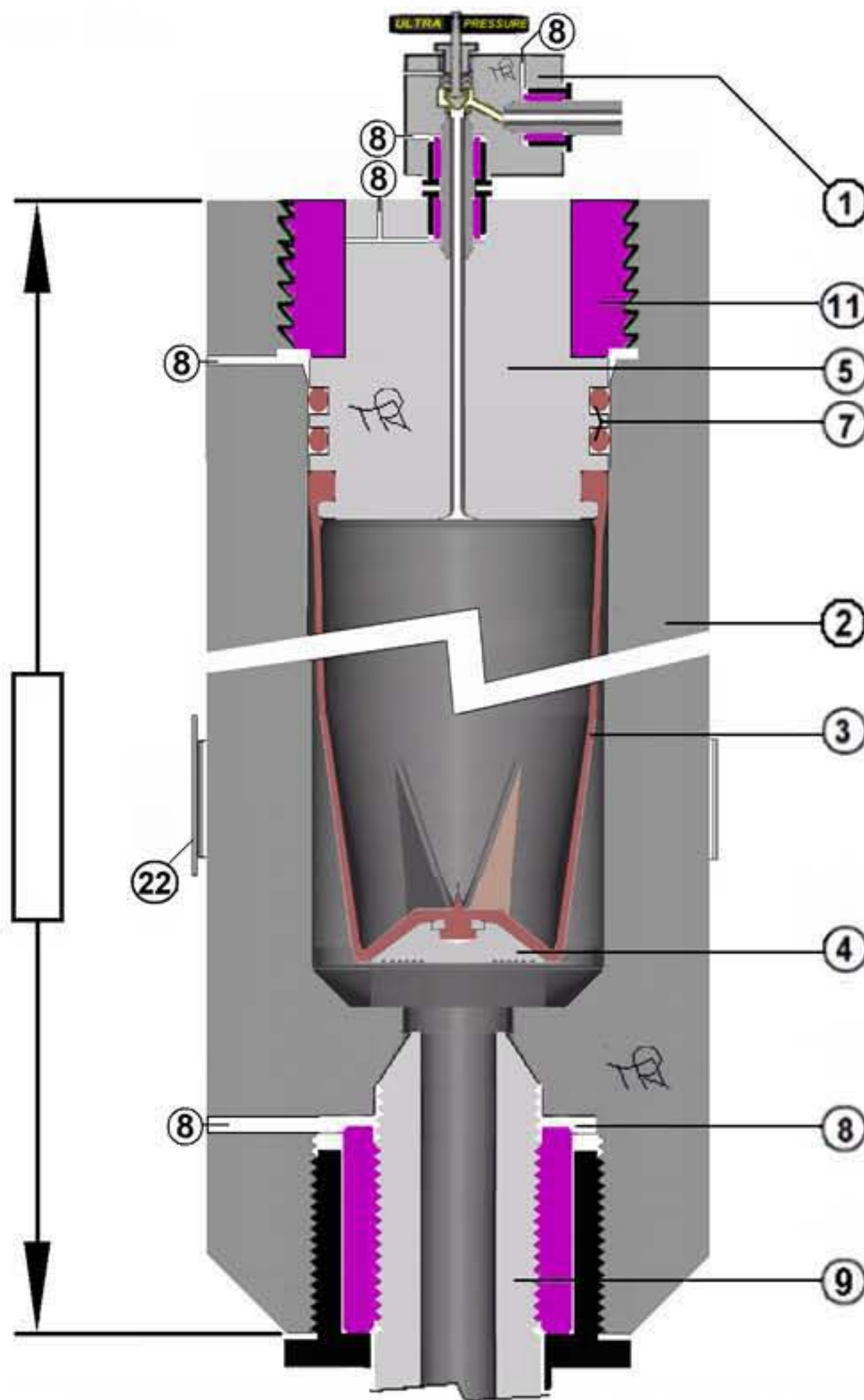


# "PIPEGUARD UHP" by PULSEGUARD "Pig/UHP" ULTRA PRESSURE Series Pulsation Damper, & Options

Since 1965

Duplex & Super Duplex Stainless Steel wetted metal parts + EP, Nitrile, Hypalon, Fluorel etc gas bags.



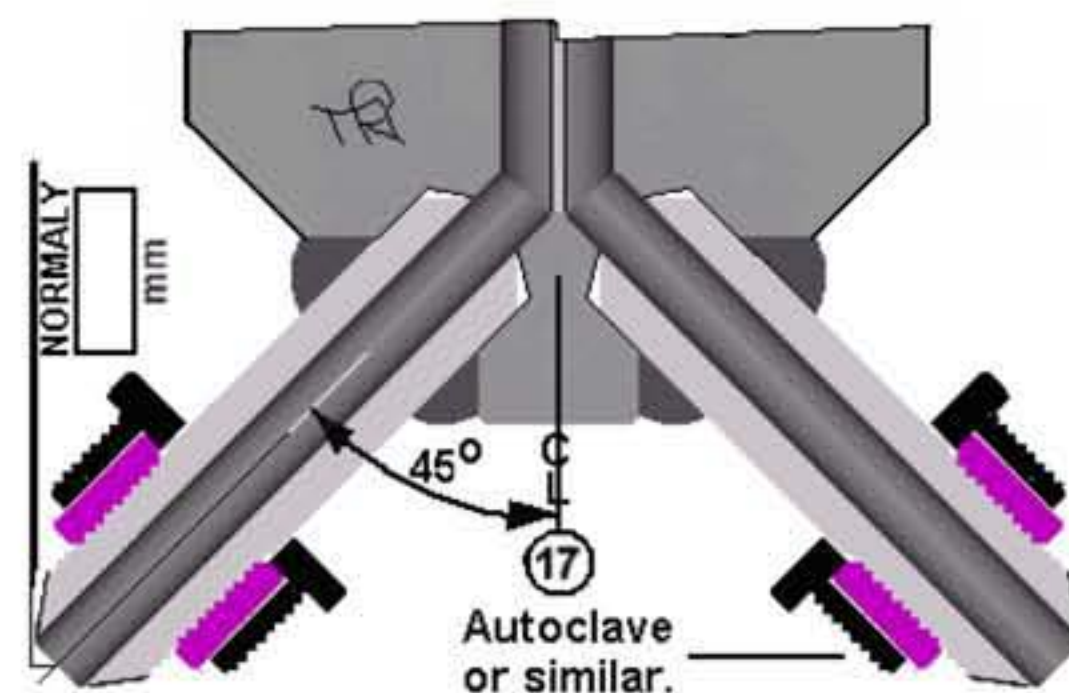
We are able to warrant safety when following our own 30 year proven methods :-  
We can not accept end user statement that design pressure is working pressure

Where Allowable Working Stress = S  
Design Pressure P = MAWP + 10% + 15%  
Joint Efficiency = E RV RVAcc  
RV is for relief safety valve set pressure  
RVacc for relief valve accumulation pressure  
E is 1.0 No Welds, or radiographed.  
E is 0.7 Welded but not radiographed.  
 $T = \frac{\text{Design Pressure} \times \text{Radius Internal}}{S(\text{From Pt. II D 1992}) \times E} - (0.6P)$

The ASME have increased allowable working stresses, enabling cheaper less safe vessels, so that their "U" certification business can be expanded against international competition, and the income of ASME International increased.  
In any event Div. 1 is for up to 3000 psi service.

Concurrently European Pressure Equipment Directive, the "DEP" enforced by criminal law, has no "SAFETY COEFFICIENTS" in its "ESRs" -Essential Safety Requirements- approved for soft cyclic duty snubber dampers, whilst also allowing ductility as low as 14%.  
These codes prevent code dampers being warranted safely suitable for purpose.

**CONNECTION OPTION "45-45 MALE"**  
TechLock / GL / SL / etc HUBS also available



Typical UHP Duplex Stainless and Elastomer Gas Bag Damper.bmp

Diametral Static "O" Seals  
90 IRH / Shore "A"  
"B" diam, mm

"y" is gas bag length, mm

Anti-Extrusion Plate

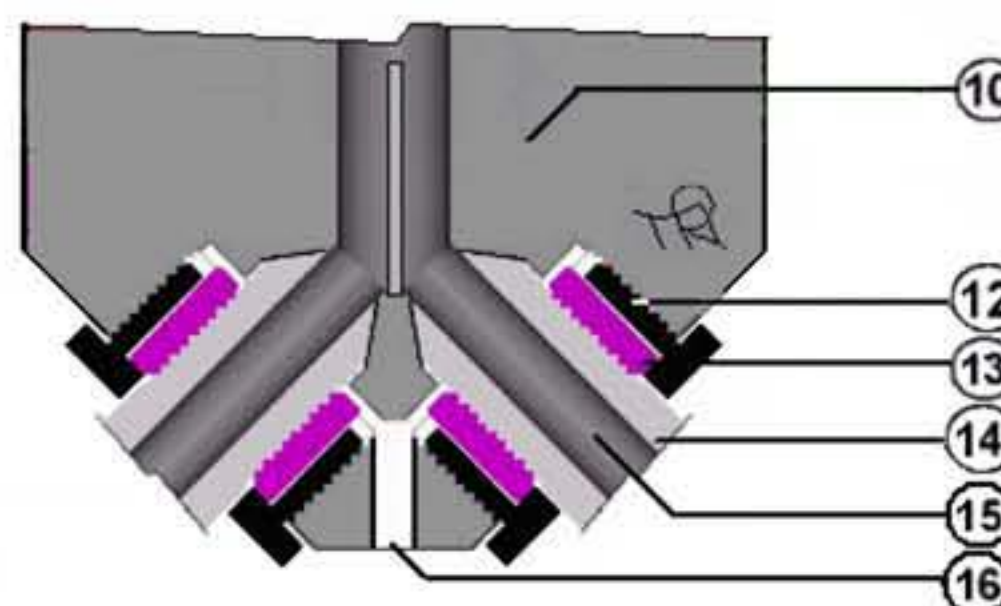
**Spares Kit**  
Pt Nbr. SK/  
B..... y.....  
\*  
Enter \*  
Letters  
Denoting  
Elastomer  
Typer  
Required  
E = EPT/EPDM  
N=Nitrile  
H=Hypalon  
B=Butyl  
V=Fluoro Elastomer  
etc.

**DECLARATION**  
as required by  
PED Mandatory Essential  
Safety Requirement "ESR"  
state under design 2 at 2.1  
the use of:  
"SAFETY COEFFICIENTS"  
this can not be complied with  
because neither EN 5500  
nor EN 13445 have  
any Safety Coefficients.  
Accordingly:  
It must be a fraud for any  
notified body to issue a  
certificate of conformity  
to ISO9001-2000 holders  
claiming any suitability  
for purpose from their  
quality system.  
M. Packer, designer and  
"responsible party".

22	Stainless Data Plate on stainless banding.	IDENTIFICATION / TRACEABILITY
18	60° Male Connections Coned are easier to refurbish, but make seal & bag service harder.	
17	60° Male Connections Coned are easier to refurbish, but make seal & bag service harder.	
16	Escape hole, leakage overload prevention.	
15	45°x45° to Center Line - Connection Orientation	
14	60° Cone Ended Heavy Wall tube	
13	Left Hand Threaded Tube Ring	
12	Hollow Nut	
11	Buttress Thread Ring	
10	Twin Port Thru-Flow "Interceptor" with weir plate	
9	Single Connection, Autoclave Type.	
8	Escape hole, leakage overload prevention.	
7	"Header Plug" - static diametral seals "O" ring	
5	End Closure "Header Plug" Prefill Gas charge point.	
4	Anti Extrusion Plate	
3	Gas Bag "Bladder" "B---y---" (mm Dia x mm high)	
2	Body From Solid Billet	
1	Nitrogen Pre-Fill Valve - Customer choice.	

Item Nbr	Description / function	Internal "Heat/Cast No"
↑ BILL OF MATERIALS ↓		
Scale : Please do not print without "MAINTAIN ASPECT RATIO" on, Use A3 paper on A3 paper, Landscape 420mm wide		
Part Nbr. / Drawing Ref : _____		Date th 200-- Rev Nbr
Pig/Dss/___i/___p/B___y___/		or 45°x45° ___x___ Duplex

**CONNECTION OPTION "45-45 FEMALE"**



**PulseGuard** <http://www.PulseGuard.com>  
<http://www.PulseGuard.co.uk>  
**PulseGuard für Deutschland** [www.pulsationdaempfer.com](http://www.pulsationdaempfer.com)  
**PulseGuard, de langue Francaise** [amortisseurs-de-pulsations.com](http://amortisseurs-de-pulsations.com)  
**PulseGuard, en Espanol/ sud Amerique** [amortiguador-de-pulsaciones.com](http://amortiguador-de-pulsaciones.com)  
**PulseGuard, dlya Russkogovoryaschih** [pulsations-dampfer.com](http://pulsations-dampfer.com)

PulseGuard is the USA registered trade mark of PulseGuard Inc.  
PulseGuard is the UK registered trade mark of PulseGuard Ltd.

**UK --44(0)161-480-9625 USA ---1910-270-2737**

